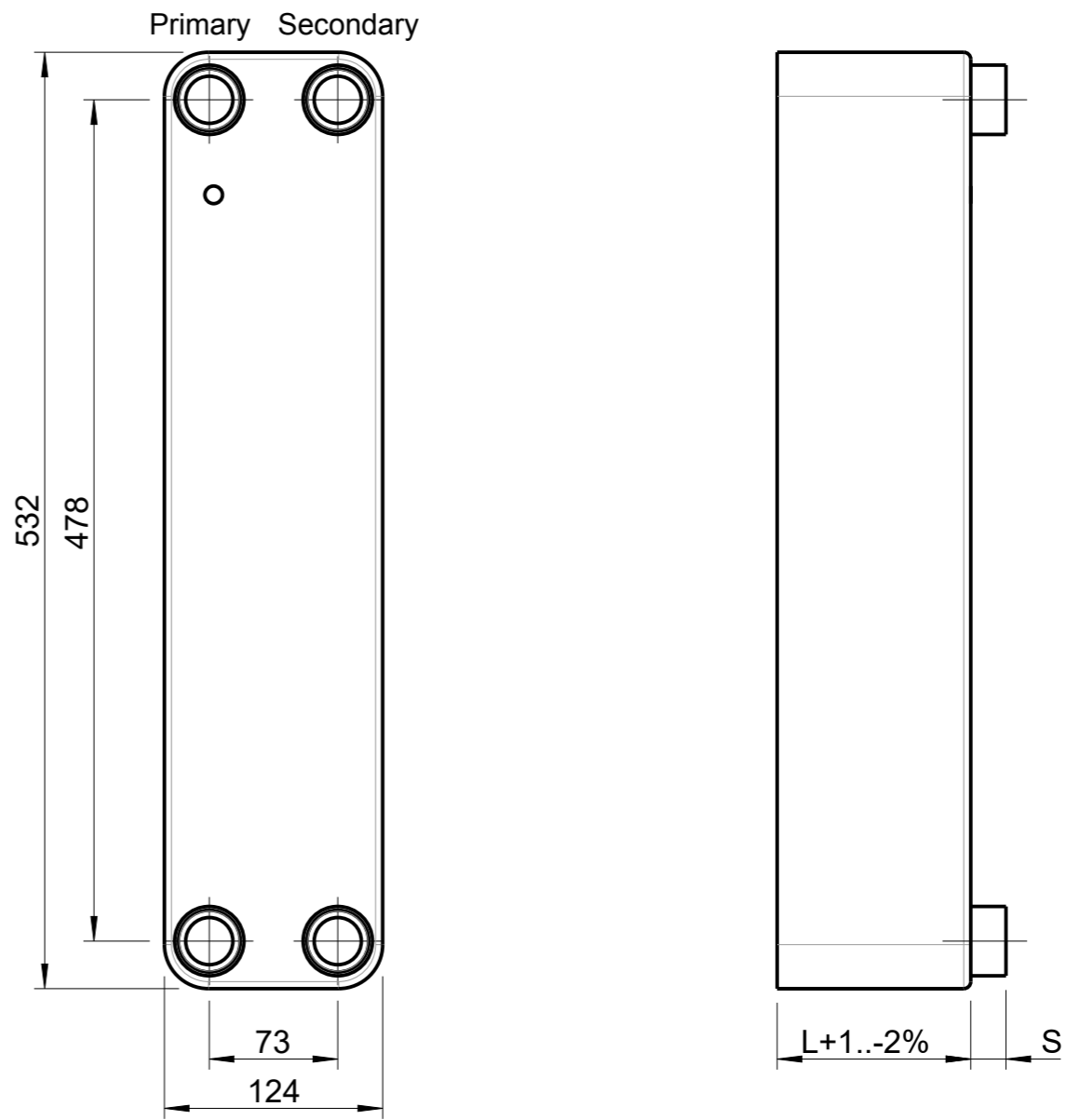
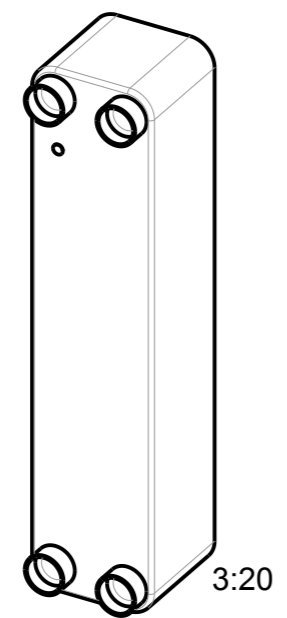


The manufacturer confirms that design, manufacturing and testing of the pressure vessel meet the requirements of the Pressure Equipment Directive 2014/68/EU. Subject to change without prior notice.

1 Kelvion - PHE		2 Design Limits*		3 Approvals**	4 L-Measure***	5 Max. Number of plates (N)	6 Material		7 Empty Weight (kg)	8 Surface (m ²)
	Model	Temperature	Pressure				Plates	Solder		
<input type="checkbox"/>	GBS500H-..	-196...+200 °C	31 bar	DGRL (PED) ASME BPVC VIII-1 UL	L=10,0+2,23xN	100	1.4404	Copper	2,25+0,200xN	0,059x(N-2)

A *Attention: Connections can reduce the design limits!
 **other approvals on inquiry!
 ***valid for 4 connections front, other connection arrangements may result in different values.



Standard Connections				
C-PTL	Size	Length	Primary	Secondary
External Thread				
C	G3/4	S=20,0mm	<input type="checkbox"/>	<input type="checkbox"/>
E	G1	S=20,0mm	<input type="checkbox"/>	<input type="checkbox"/>
EB	G1	S=25,0mm	<input type="checkbox"/>	<input type="checkbox"/>
EL	G1	S=40,0mm	<input type="checkbox"/>	<input type="checkbox"/>
F	G1 1/4	S=20,0mm	<input type="checkbox"/>	<input type="checkbox"/>
FL	G1 1/4	S=40,0mm	<input type="checkbox"/>	<input type="checkbox"/>
Internal Thread				
P	G3/4	S=20,0mm	<input type="checkbox"/>	<input type="checkbox"/>
R	G1	S=20,0mm	<input type="checkbox"/>	<input type="checkbox"/>
Solder Connections				
NO	3/8" (Ø 9,9mm)	S=20,0mm	<input type="checkbox"/>	<input type="checkbox"/>
TZ	Ø 10,3mm	S=20,0mm	<input type="checkbox"/>	<input type="checkbox"/>
M	1/2" (Ø 13,0mm)	S=20,0mm	<input type="checkbox"/>	<input type="checkbox"/>
TX	Ø 15,3mm	S=20,0mm	<input type="checkbox"/>	<input type="checkbox"/>
O	5/8" (Ø 16,3mm)	S=20,0mm	<input type="checkbox"/>	<input type="checkbox"/>
TU	Ø 18,3mm	S=20,0mm	<input type="checkbox"/>	<input type="checkbox"/>
N	3/4" (Ø 19,5mm)	S=20,0mm	<input type="checkbox"/>	<input type="checkbox"/>
H	7/8" (Ø 22,35mm)	S=20,0mm	<input type="checkbox"/>	<input type="checkbox"/>
I	Ø 28,35mm	S=20,0mm	<input type="checkbox"/>	<input type="checkbox"/>
IA	1 1/8" (Ø 28,7mm)	S=20,0mm	<input type="checkbox"/>	<input type="checkbox"/>
K	1 3/8" (Ø 35,1mm)	S=20,0mm	<input type="checkbox"/>	<input type="checkbox"/>
Additional connections on backplate (Internal Thread)				
OZ	G1/2	S=20,0mm	<input type="checkbox"/>	<input type="checkbox"/>
Other connections on inquiry!				

file name model: GBS500H-1704		file type: ASSEM	file name drawing: GBS500H-1704																										
Kelvion Brazed PHE GmbH Remsaer Straße 2a D-04603 Nobitz-Wilchwitz Tel. 03447-5539-0 Fax. 03447-5539-30		All measurements without tolerances are subject to the specified tolerance values of the document "technical dimensions" from Kelvion Brazed PHE GmbH																											
		scale 1:4																											
		denomination: Plate Heat Exchanger GBS500H																											
		drawing number: GBS500H-1910_EN																											
		sheet2 2 sheet																											
<table border="1"> <tr> <th>stat</th> <th>change</th> <th>date</th> <th>name</th> </tr> <tr> <td>(b)</td> <td>1,76+0,211->2,25+0,2</td> <td>17.10.19</td> <td>Regen.</td> </tr> <tr> <td>(b)</td> <td>Hinweis Anschlüsse</td> <td>17.10.19</td> <td>Regen.</td> </tr> <tr> <td>(a)</td> <td>Hinweis Toleranz</td> <td>11.01.19</td> <td>Sacher</td> </tr> <tr> <td>(a)</td> <td>9,5+2,23->10+2,23</td> <td>11.01.19</td> <td>Sacher</td> </tr> </table>		stat	change	date	name	(b)	1,76+0,211->2,25+0,2	17.10.19	Regen.	(b)	Hinweis Anschlüsse	17.10.19	Regen.	(a)	Hinweis Toleranz	11.01.19	Sacher	(a)	9,5+2,23->10+2,23	11.01.19	Sacher	<table border="1"> <tr> <th>date</th> <th>name</th> </tr> <tr> <td>Bear. 05.04.2017</td> <td>L.Huster</td> </tr> <tr> <td>Gepr. 05.06.2020</td> <td>C.Schmidt</td> </tr> </table>		date	name	Bear. 05.04.2017	L.Huster	Gepr. 05.06.2020	C.Schmidt
stat	change	date	name																										
(b)	1,76+0,211->2,25+0,2	17.10.19	Regen.																										
(b)	Hinweis Anschlüsse	17.10.19	Regen.																										
(a)	Hinweis Toleranz	11.01.19	Sacher																										
(a)	9,5+2,23->10+2,23	11.01.19	Sacher																										
date	name																												
Bear. 05.04.2017	L.Huster																												
Gepr. 05.06.2020	C.Schmidt																												

