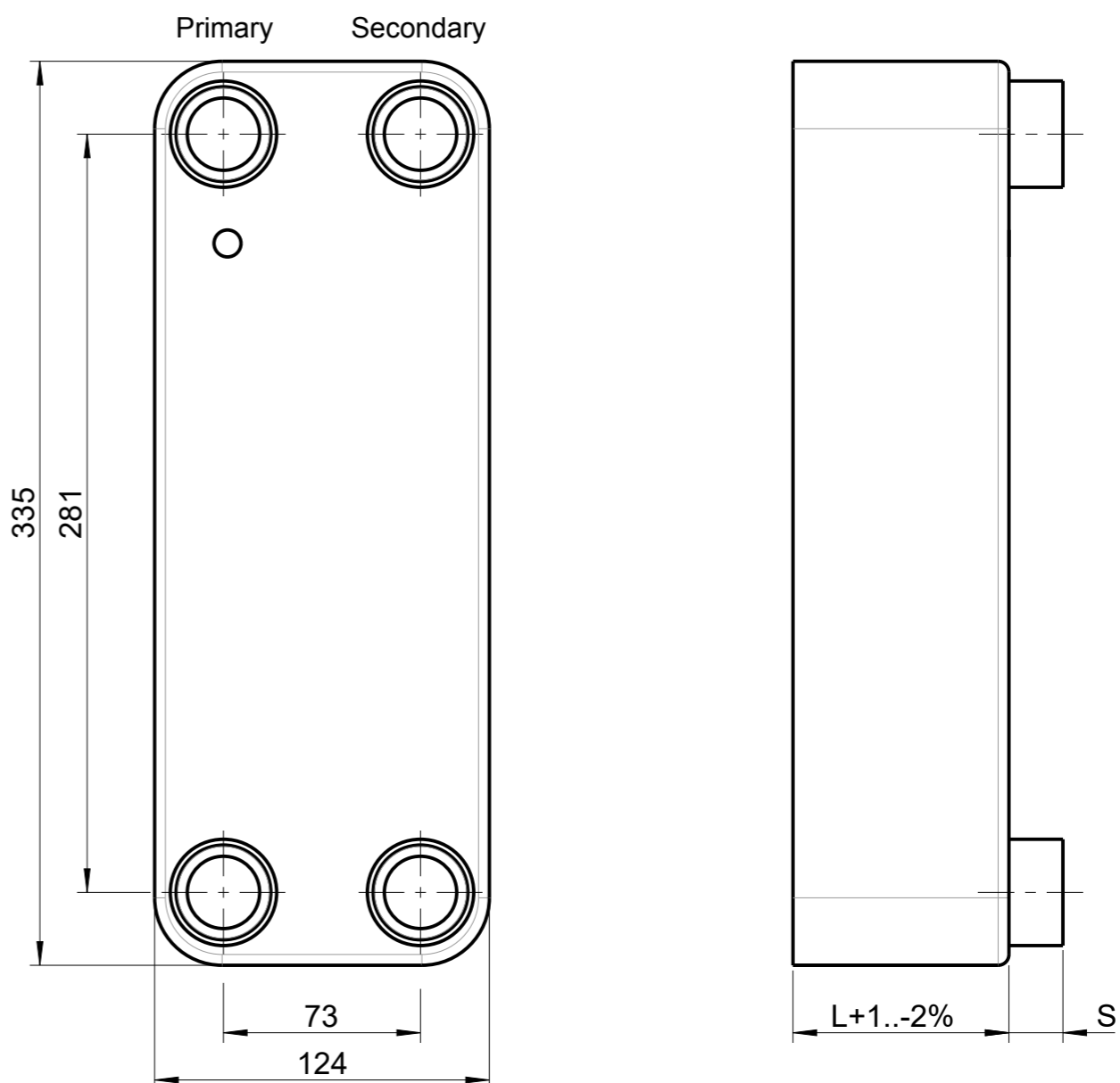
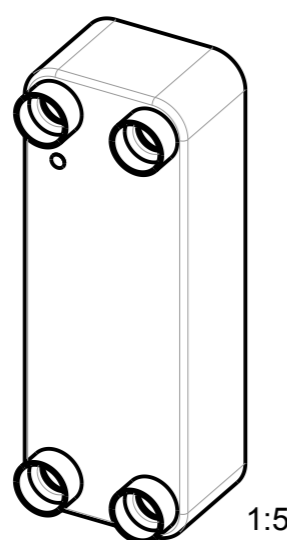


The manufacturer confirms that design, manufacturing and testing of the pressure vessel meet the requirements of the Pressure Equipment Directive 2014/68/EU. Subject to change without prior notice.

1	2	3	4	5	6	7	8		
Kelvion - PHE		Design Limits*		Approvals**	L-Measure***	Material		Empty Weight (kg)	Surface (m ²)
Model	Temperature	Pressure	Plates			Solder			
<input type="checkbox"/> GBS400H-..	-196..+200 °C	31 bar	DGRL (PED), ASME BPVC VIII-1 UL	1.4404	Copper	1,60+0,120xN	0,035x(N-2)		
<input type="checkbox"/> GBS400H-..XCR								1.4547	

*Attention: Connections can reduce the design limits!
 **other approvals on inquiry!
 ***valid for 4 connections front, other connection arrangements may result in different values.



Standard Connections				
C-PTL	Size	Length	Primary	Secondary
External Thread				
C	G3/4	S=20,0mm	<input type="checkbox"/>	<input type="checkbox"/>
E	G1	S=20,0mm	<input type="checkbox"/>	<input type="checkbox"/>
EL	G1	S=40,0mm	<input type="checkbox"/>	<input type="checkbox"/>
F	G1 1/4	S=20,0mm	<input type="checkbox"/>	<input type="checkbox"/>
FL	G1 1/4	S=40,0mm	<input type="checkbox"/>	<input type="checkbox"/>
Internal Thread				
P	G3/4	S=20,0mm	<input type="checkbox"/>	<input type="checkbox"/>
R	G1	S=20,0mm	<input type="checkbox"/>	<input type="checkbox"/>
Solder Connections				
NO	3/8" (Ø9,9mm)	S=20,0mm	<input type="checkbox"/>	<input type="checkbox"/>
TZ	Ø10,3mm	S=20,0mm	<input type="checkbox"/>	<input type="checkbox"/>
M	1/2" (Ø13,0mm)	S=20,0mm	<input type="checkbox"/>	<input type="checkbox"/>
TX	Ø15,3mm	S=20,0mm	<input type="checkbox"/>	<input type="checkbox"/>
O	5/8" (Ø16,3mm)	S=20,0mm	<input type="checkbox"/>	<input type="checkbox"/>
TU	Ø18,3mm	S=20,0mm	<input type="checkbox"/>	<input type="checkbox"/>
N	3/4" (Ø19,5mm)	S=20,0mm	<input type="checkbox"/>	<input type="checkbox"/>
H	7/8" (Ø22,35mm)	S=20,0mm	<input type="checkbox"/>	<input type="checkbox"/>
I	Ø28,35mm	S=20,0mm	<input type="checkbox"/>	<input type="checkbox"/>
IA	1 1/8" (Ø28,7mm)	S=20,0mm	<input type="checkbox"/>	<input type="checkbox"/>
K	1 3/8" (Ø35,1mm)	S=20,0mm	<input type="checkbox"/>	<input type="checkbox"/>
Additional connections on backplate (Internal Thread)				
OZ	G1/2	S=20,0mm	<input type="checkbox"/>	<input type="checkbox"/>
Other connections on inquiry!				

file name model: GBS400H-1704		file type: ASSEM	file name drawing: GBS400H-1704
Kelvion Brazed PHE GmbH Remsaer Straße 2a D-04603 Nobitz-Wilchwitz Tel. 03447-5539-0 Fax. 03447-5539-30		All measurements without tolerances are subject to the specified tolerance values of the document "technical dimensions" from Kelvion Brazed PHE GmbH	
		date	name
		Bear. 05.04.2017	L.Huster
		Gepr. 05.06.2020	C.Schmidt
		denomination: Plate Heat Exchanger GBS400H	
		drawing number: GBS400H-1910_EN	
		sheet2 2 sheet	
(c)	1,60+0,13->1,6+0,12	17.10.19	Regen.
(c)	12,25+2,25->12,3+2,25	17.10.19	Regen.
(c)	Hinweis Anschlüsse	17.10.19	Regen.
(b)	Hinweis Toleranz	21.01.19	Sacher
(a)	9,5+2,24->12,25+2,25	09.11.17	Huster
stat	change	date	name

