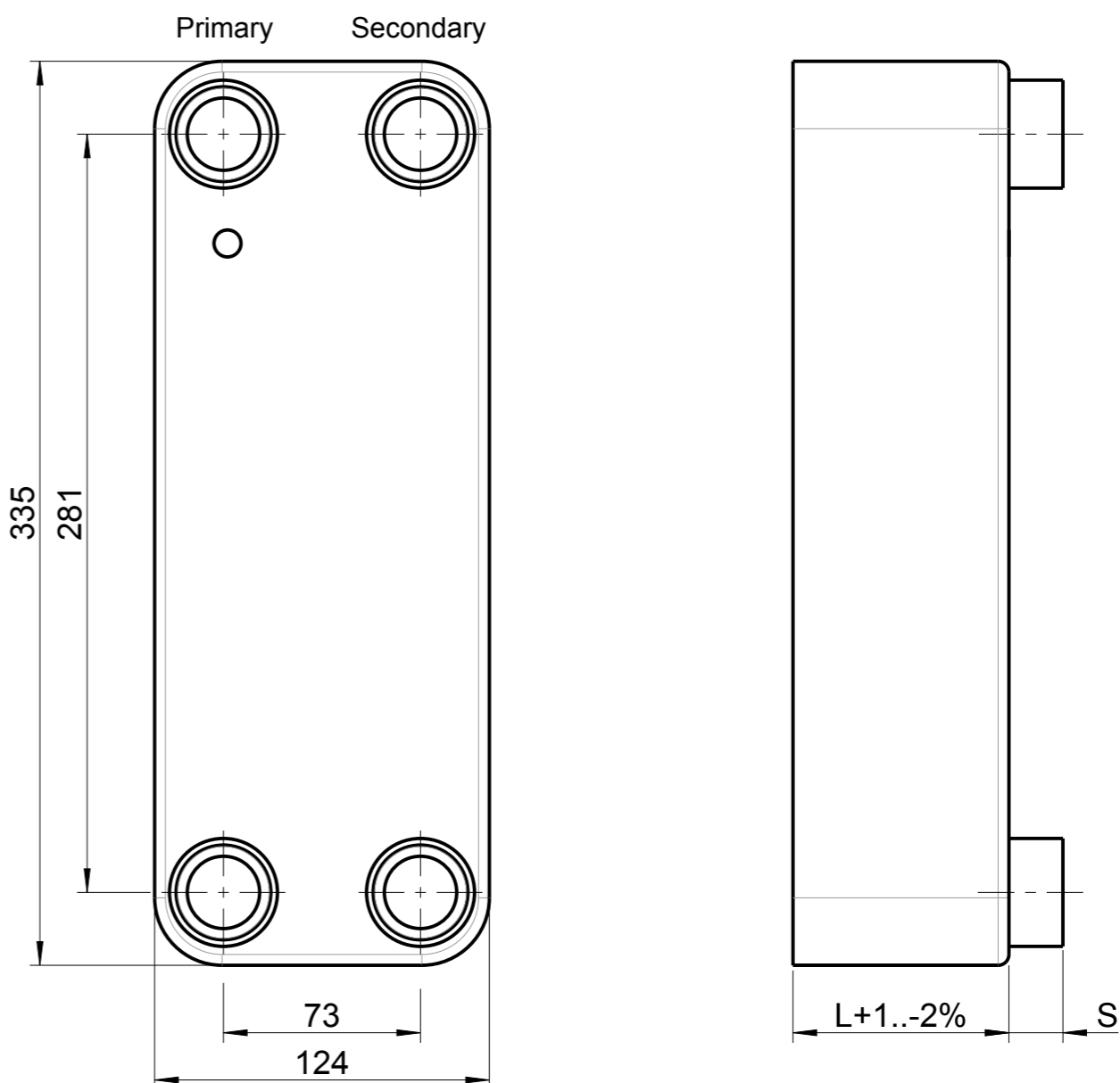
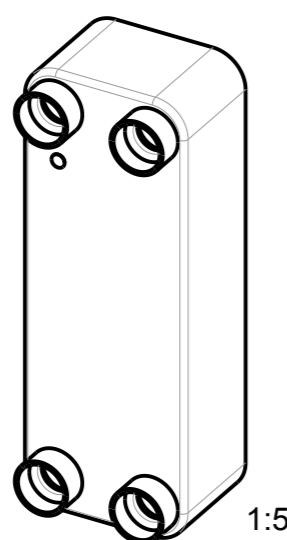


The manufacturer confirms that design, manufacturing and testing of the pressure vessel meet the requirements of the Pressure Equipment Directive 2014/68/EU. Subject to change without prior notice.

1	2	3	4	5	6	7	8		
Kelvion - PHE		Design Limits*		Approvals**	L-Measure***	Material		Empty Weight (kg)	Surface (m <sup>2</sup> )
Model	Temperature	Pressure	Plates			Solder			
<input type="checkbox"/> GBS400H-..	-196..+200 °C	31 bar	DGRL (PED), ASME BPVC VIII-1 UL	L=12.3+2.25xN	100	1.4404	Copper	1.60+0.120xN	0.035x(N-2)

\*Attention: Connections can reduce the design limits!  
 \*\*other approvals on inquiry!  
 \*\*\*valid for 4 connections front, other connection arrangements may result in different values.



Standard Connections				
C-PTL	Size	Length	Primary	Secondary
<b>External Thread</b>				
C	G3/4	S=20.0mm	<input type="checkbox"/>	<input type="checkbox"/>
E	G1	S=20.0mm	<input type="checkbox"/>	<input type="checkbox"/>
EL	G1	S=40.0mm	<input type="checkbox"/>	<input type="checkbox"/>
F	G1 1/4	S=20.0mm	<input type="checkbox"/>	<input type="checkbox"/>
FL	G1 1/4	S=40.0mm	<input type="checkbox"/>	<input type="checkbox"/>
<b>Internal Thread</b>				
P	G3/4	S=20.0mm	<input type="checkbox"/>	<input type="checkbox"/>
R	G1	S=20.0mm	<input type="checkbox"/>	<input type="checkbox"/>
<b>Solder Connections</b>				
NO	3/8" (Ø9.9mm)	S=20.0mm	<input type="checkbox"/>	<input type="checkbox"/>
TZ	Ø10.3mm	S=20.0mm	<input type="checkbox"/>	<input type="checkbox"/>
M	1/2" (Ø13.0mm)	S=20.0mm	<input type="checkbox"/>	<input type="checkbox"/>
TX	Ø15.3mm	S=20.0mm	<input type="checkbox"/>	<input type="checkbox"/>
O	5/8" (Ø16.3mm)	S=20.0mm	<input type="checkbox"/>	<input type="checkbox"/>
TU	Ø18.3mm	S=20.0mm	<input type="checkbox"/>	<input type="checkbox"/>
N	3/4" (Ø19.5mm)	S=20.0mm	<input type="checkbox"/>	<input type="checkbox"/>
H	7/8" (Ø22.35mm)	S=20.0mm	<input type="checkbox"/>	<input type="checkbox"/>
I	Ø28.35mm	S=20.0mm	<input type="checkbox"/>	<input type="checkbox"/>
IA	1 1/8" (Ø28.7mm)	S=20.0mm	<input type="checkbox"/>	<input type="checkbox"/>
K	1 3/8" (Ø35.1mm)	S=20.0mm	<input type="checkbox"/>	<input type="checkbox"/>
<b>Additional connections on backplate (Internal Thread)</b>				
OZ	G1/2	S=20.0mm	<input type="checkbox"/>	<input type="checkbox"/>
Other connections on inquiry!				

file name model: GBS400H-1704		file type: ASSEM	file name drawing: GBS400H-1704
Kelvion Brazed PHE GmbH Remsaer Straße 2a D-04603 Nobitz-Wilchwitz Tel. 03447-5539-0 Fax. 03447-5539-30		All measurements without tolerances are subject to the specified tolerance values of the document "technical dimensions" from Kelvion Brazed PHE GmbH	
		date	name
		Bear. 05.04.2017	L.Huster
		Gepr. 12.04.2022	P.Bonitz
		denomination: <b>Plate Heat Exchanger GBS400H</b>	
		drawing number: <b>GBS400H-1910_EN</b>	
		sheet 2 2 sheet	
stat	change	date	name
(d)	XCR entfernt	12.04.22	Sander
(c)	1,60+0,13->1,6+0,12	17.10.19	Regen.
(c)	12,25+2,25->12,3+2,25	17.10.19	Regen.
(c)	Hinweis Anschlüsse	17.10.19	Regen.
(b)	Hinweis Toleranz	21.01.19	Sacher
(a)	9,5+2,24->12,25+2,25	09.11.17	Huster

