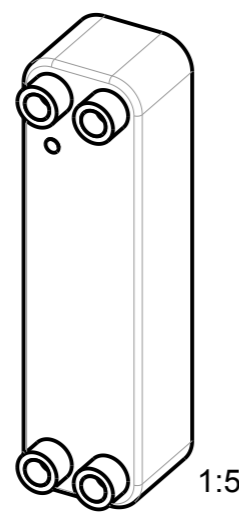


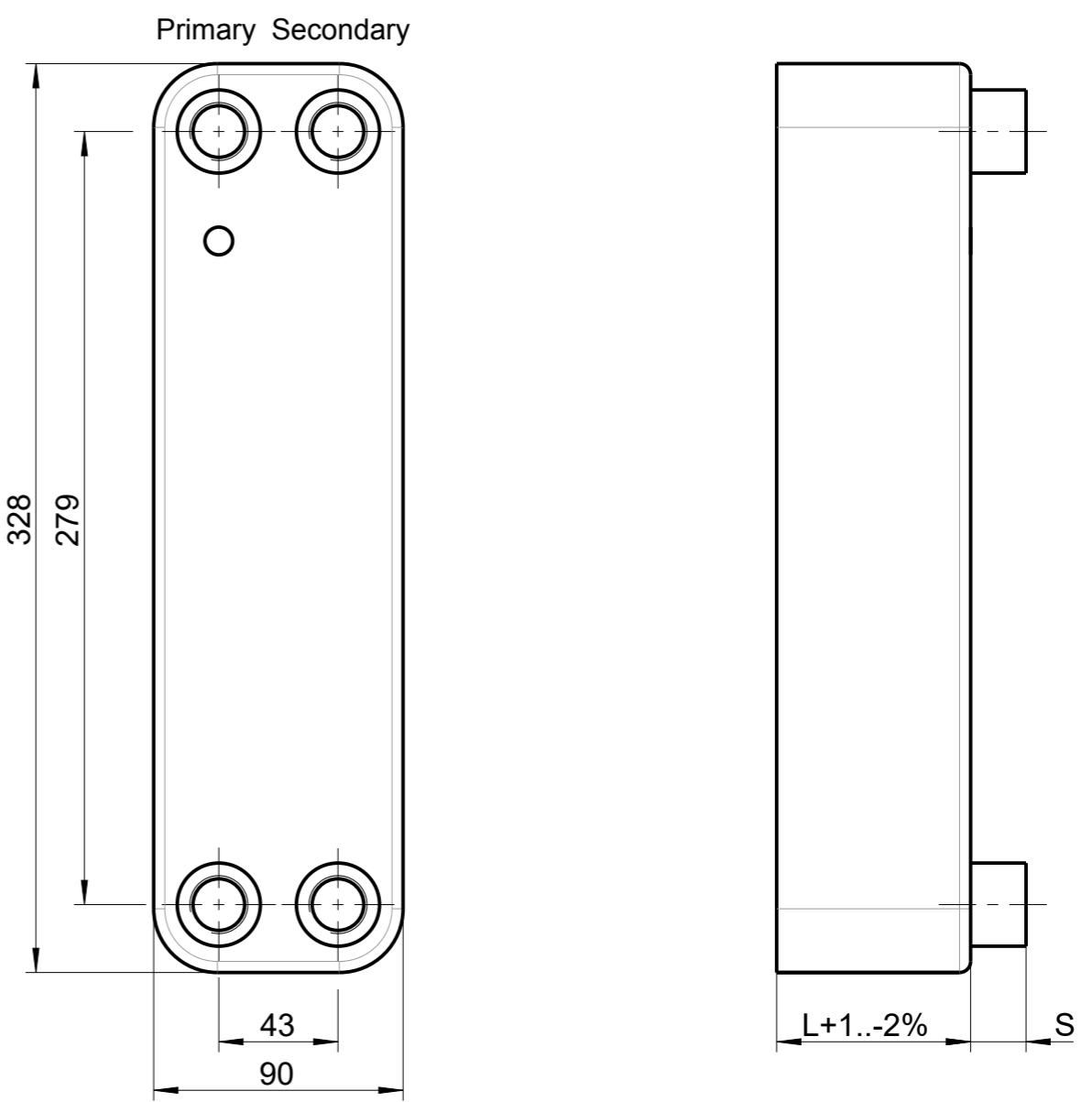
The manufacturer confirms that design, manufacturing and testing of the pressure vessel meet the requirements of the Pressure Equipment Directive 2014/68/EU. Subject to change without prior notice.

1	2		3	4	5	6		7	8
Kelvion - PHE		Design Limits*		Approvals**	L-Measure***	Material		Empty Weight (kg)	Surface (m <sup>2</sup> )
Model	Temperature	Pressure	Plates			Solder			
<input type="checkbox"/> GBS220H-..	-196..+200 °C	31 bar	DGRL (PED), ASME BPVC VIII-1 UL	L=10,0+2,25xN	50	1.4404	Copper	1,10+0,090xN	0,026x(N-2)
<input type="checkbox"/> GBS220H-..XCR				L=12,3+2,25xN		1.4547		1,20+0,090xN	

\*Attention: Connections can reduce the design limits!  
 \*\*other approvals on inquiry!  
 \*\*\*valid for 4 connections front, other connection arrangements may result in different values.



1:5



Standard Connections				
C-PTL	Size	Length	Primary	Secondary
<b>External Thread</b>				
B	G1/2	S=20,0mm	<input type="checkbox"/>	<input type="checkbox"/>
C	G3/4	S=20,0mm	<input type="checkbox"/>	<input type="checkbox"/>
E	G1	S=20,0mm	<input type="checkbox"/>	<input type="checkbox"/>
<b>Internal Thread</b>				
OZ	G1/2	S=20,0mm	<input type="checkbox"/>	<input type="checkbox"/>
P	G3/4	S=20,0mm	<input type="checkbox"/>	<input type="checkbox"/>
<b>Solder Connections</b>				
NO	3/8" (Ø9,9mm)	S=20,0mm	<input type="checkbox"/>	<input type="checkbox"/>
TZ	Ø10,3mm	S=20,0mm	<input type="checkbox"/>	<input type="checkbox"/>
M	1/2" (Ø13,0mm)	S=20,0mm	<input type="checkbox"/>	<input type="checkbox"/>
TX	Ø15,3mm	S=20,0mm	<input type="checkbox"/>	<input type="checkbox"/>
O	5/8" (Ø16,3mm)	S=20,0mm	<input type="checkbox"/>	<input type="checkbox"/>
TU	Ø18,3mm	S=20,0mm	<input type="checkbox"/>	<input type="checkbox"/>
N	3/4" (Ø19,5mm)	S=20,0mm	<input type="checkbox"/>	<input type="checkbox"/>
H	7/8" (Ø22,35mm)	S=20,0mm	<input type="checkbox"/>	<input type="checkbox"/>
I	Ø28,35mm	S=20,0mm	<input type="checkbox"/>	<input type="checkbox"/>
IA	1 1/8" (Ø28,7mm)	S=20,0mm	<input type="checkbox"/>	<input type="checkbox"/>
<b>Additional connections on backplate (Internal Thread)</b>				
OZ	G1/2	S=20,0mm	<input type="checkbox"/>	<input type="checkbox"/>
<b>Other connections on inquiry!</b>				

file name model: GBS220H-1704		file type: ASSEM	file name drawing: GBS220H-1704
Kelvion Brazed PHE GmbH Remsaer Straße 2a D-04603 Nobitz-Wilchwitz Tel. 03447-5539-0 Fax. 03447-5539-30		All measurements without tolerances are subject to the specified tolerance values of the document "technical dimensions" from Kelvion Brazed PHE GmbH	
		scale 2:5	
		denomination: <b>Plate Heat Exchanger GBS220H</b>	
		drawing number: <b>GBS220H-1910_EN</b>	
		sheet2 2 sheet	
stat	change	date	name
(b)	10,0+2,25->12,3+2,25	17.10.19	Regen.
(b)	1,3+0,08->1,2+0,09	17.10.19	Regen.
(b)	1,3+0,08->1,1+0,09	17.10.19	Regen.
(b)	Hinweis Anschlüsse	17.10.19	Regen.
(a)	Hinweis Toleranz	08.01.19	Sacher
(a)	10,0+2,22->10,0+2,25	08.01.19	Sacher

