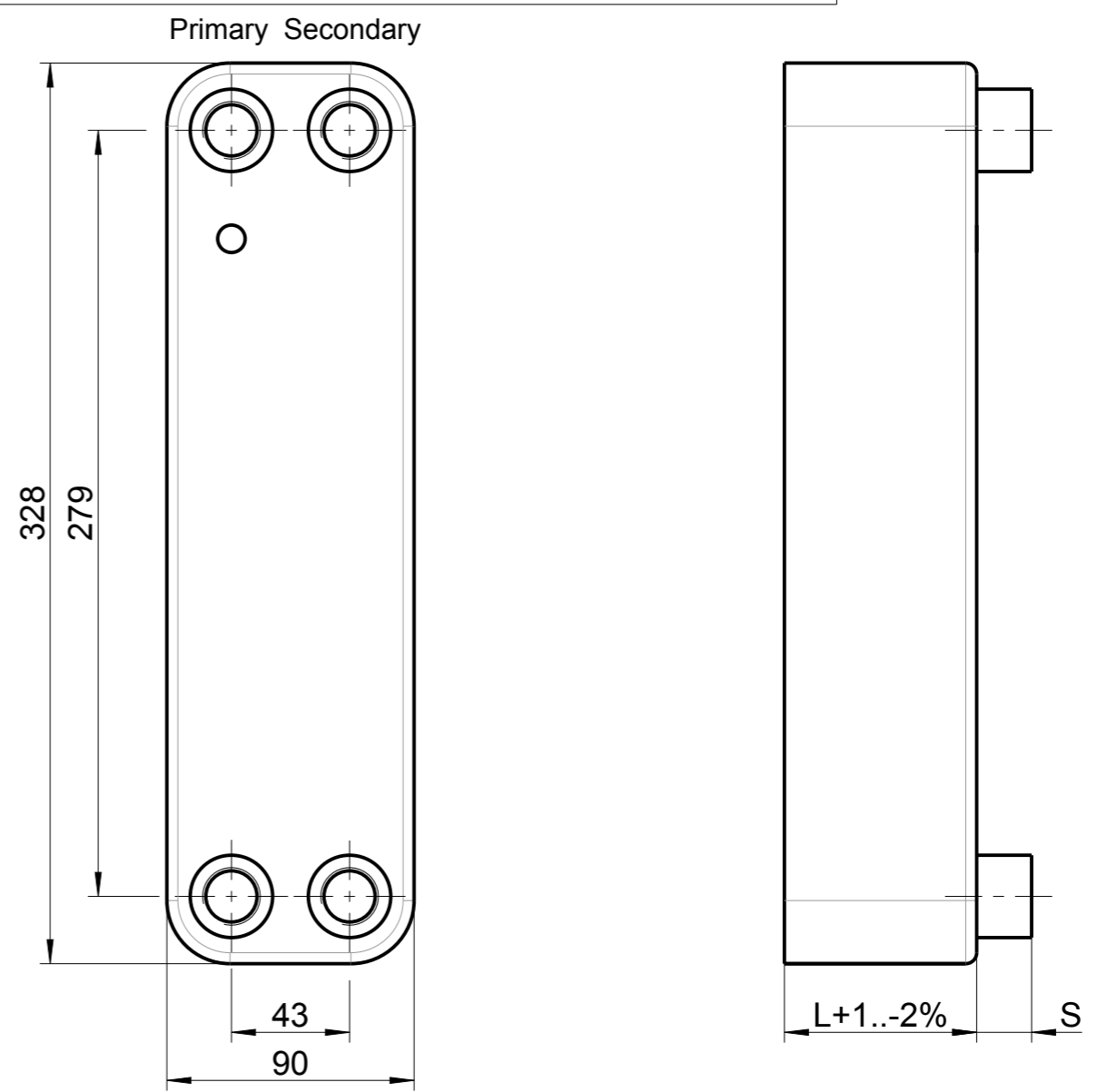
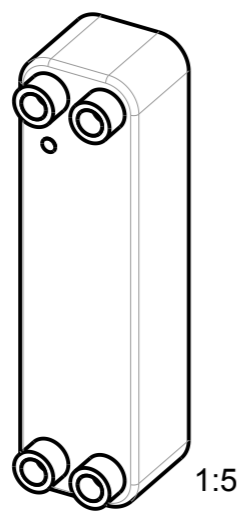


The manufacturer confirms that design, manufacturing and testing of the pressure vessel meet the requirements of the Pressure Equipment Directive 2014/68/EU. Subject to change without prior notice.

1	2		3	4	5	6		7	8
Kelvion - PHE		Design Limits*		Approvals**	L-Measure***	Material		Empty Weight (kg)	Surface (m ²)
Model	Temperature	Pressure	Plates			Solder			
<input type="checkbox"/> GBS220H-..	-196..+200 °C	31 bar	DGRL (PED) ASME BPVC VIII-1 UL	L=10.0+2.25xN	50	1.4404	Kupfer	1.10+0.090xN	0.026x(N-2)

A *Attention: Connections can reduce the design limits!
 **other approvals on inquiry!
 ***valid for 4 connections front, other connection arrangements may result in different values.



Standard Connections				
C-PTL	Size	Length	Primary	Secondary
External Thread				
B	G1/2	S=20.0mm	<input type="checkbox"/>	<input type="checkbox"/>
C	G3/4	S=20.0mm	<input type="checkbox"/>	<input type="checkbox"/>
E	G1	S=20.0mm	<input type="checkbox"/>	<input type="checkbox"/>
Internal Thread				
OZ	G1/2	S=20.0mm	<input type="checkbox"/>	<input type="checkbox"/>
P	G3/4	S=20.0mm	<input type="checkbox"/>	<input type="checkbox"/>
Solder Connections				
NO	3/8" (Ø9.9mm)	S=20.0mm	<input type="checkbox"/>	<input type="checkbox"/>
TZ	Ø10.3mm	S=20.0mm	<input type="checkbox"/>	<input type="checkbox"/>
M	1/2" (Ø13.0mm)	S=20.0mm	<input type="checkbox"/>	<input type="checkbox"/>
TX	Ø15.3mm	S=20.0mm	<input type="checkbox"/>	<input type="checkbox"/>
O	5/8" (Ø16.3mm)	S=20.0mm	<input type="checkbox"/>	<input type="checkbox"/>
TU	Ø18.3mm	S=20.0mm	<input type="checkbox"/>	<input type="checkbox"/>
N	3/4" (Ø19.5mm)	S=20.0mm	<input type="checkbox"/>	<input type="checkbox"/>
H	7/8" (Ø22.35mm)	S=20.0mm	<input type="checkbox"/>	<input type="checkbox"/>
I	Ø28.35mm	S=20.0mm	<input type="checkbox"/>	<input type="checkbox"/>
IA	1 1/8" (Ø28.7mm)	S=20.0mm	<input type="checkbox"/>	<input type="checkbox"/>
Additional connections on backplate (Internal Thread)				
OZ	G1/2	S=20.0mm	<input type="checkbox"/>	<input type="checkbox"/>
Other connections on inquiry!				

file name model: GBS220H-1704			file type: ASSEM		file name drawing: GBS220H-1704	
Kelvion Brazed PHE GmbH Remsaer Straße 2a D-04603 Nobitz-Wilchwitz Tel. 03447-5539-0 Fax. 03447-5539-30			All measurements without tolerances are subject to the specified tolerance values of the document "technical dimensions" from Kelvion Brazed PHE GmbH		scale 2:5	
			date		name	
(c)	XCR entfernt	12.04.22	Sander	Bear.	05.04.2017	L.Huster
(b)	10,0+2,25->12,3+2,25	17.10.19	Regen.	Gep.	12.04.2022	P.Bonitz
(b)	1,3+0,08->1,2+0,09	17.10.19	Regen.			
(b)	1,3+0,08->1,1+0,09	17.10.19	Regen.			
(b)	Hinweis Anschlüsse	17.10.19	Regen.			
(a)	Hinweis Toleranz	08.01.19	Sacher			
(a)	10,0+2,22->10,0+2,25	08.01.19	Sacher			
stat	change	date	name			
			denomination: Plate Heat Exchanger			
			drawing number: GBS220H-1910_EN			sheet 2 2 sheet