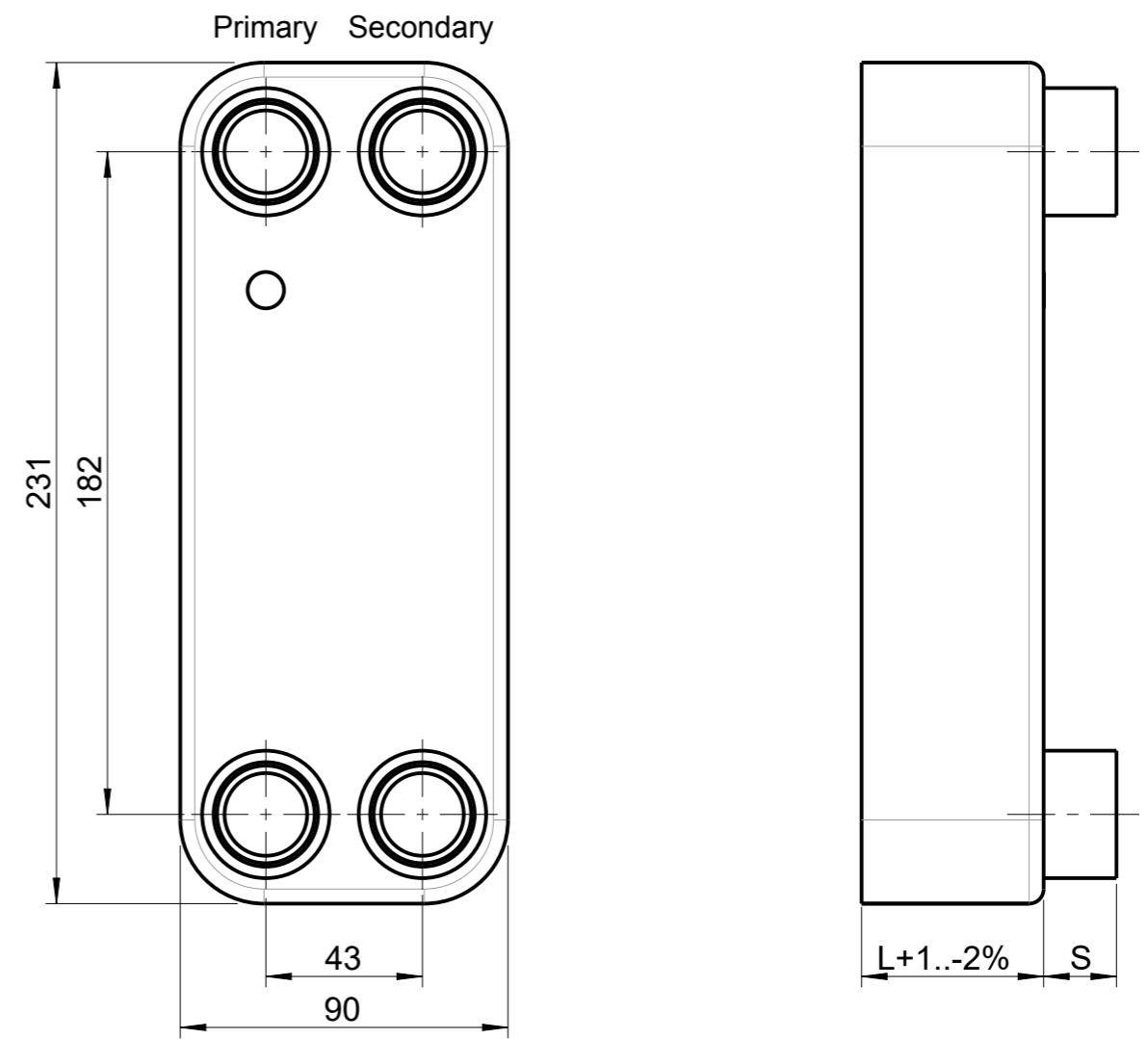
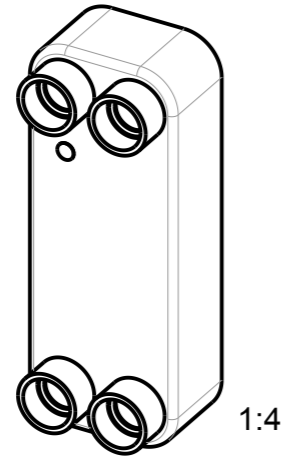


The manufacturer confirms that design, manufacturing and testing of the pressure vessel meet the requirements of the Pressure Equipment Directive 2014/68/EU. Subject to change without prior notice.

1	2	3	4	5	6	7	8		
Kelvion - PHE		Design Limits*		Approvals**	L-Measure**	Material		Empty Weight (kg)	Surface (m <sup>2</sup> )
Model	Temperature	Pressure	Plates			Solder			
<input type="checkbox"/> GBS200H-...	-196...+200 °C	31 bar	DGRL (PED) ASME BPVC VIII-1 UL	L=10,0+2,24xN	50	1.4404	Copper	0,85+0,060xN	0,018x(N-2)

\*Attention: Connections can reduce the design limits!  
 \*\*other approvals on inquiry!  
 \*\*\*valid for 4 connections front, other connection arrangements may result in different values.



Standard Connections				
C-PTL	Size	Length	Primary	Secondary
<b>External Thread</b>				
B	G1/2	S=20,0mm	<input type="checkbox"/>	<input type="checkbox"/>
C	G3/4	S=20,0mm	<input type="checkbox"/>	<input type="checkbox"/>
E	G1	S=20,0mm	<input type="checkbox"/>	<input type="checkbox"/>
<b>Internal Thread</b>				
OZ	G1/2	S=20,0mm	<input type="checkbox"/>	<input type="checkbox"/>
P	G3/4	S=20,0mm	<input type="checkbox"/>	<input type="checkbox"/>
<b>Solder Connections</b>				
NO	3/8" (Ø 9,9mm)	S=20,0mm	<input type="checkbox"/>	<input type="checkbox"/>
TZ	Ø 10,3mm	S=20,0mm	<input type="checkbox"/>	<input type="checkbox"/>
M	1/2" (Ø 13,0mm)	S=20,0mm	<input type="checkbox"/>	<input type="checkbox"/>
TX	Ø 15,3mm	S=20,0mm	<input type="checkbox"/>	<input type="checkbox"/>
O	5/8" (Ø 16,3mm)	S=20,0mm	<input type="checkbox"/>	<input type="checkbox"/>
TU	Ø 18,3mm	S=20,0mm	<input type="checkbox"/>	<input type="checkbox"/>
N	3/4" (Ø 19,5mm)	S=20,0mm	<input type="checkbox"/>	<input type="checkbox"/>
H	7/8" (Ø 22,35mm)	S=20,0mm	<input type="checkbox"/>	<input type="checkbox"/>
I	Ø 28,35mm	S=20,0mm	<input type="checkbox"/>	<input type="checkbox"/>
IA	1 1/8" (Ø 28,7mm)	S=20,0mm	<input type="checkbox"/>	<input type="checkbox"/>
<b>Additional connections on backplate (Internal Thread)</b>				
OZ	G1/2	S=20,0mm	<input type="checkbox"/>	<input type="checkbox"/>
Other connections on inquiry!				

file name model: GBS200H-1704		file type: ASSEM	file name drawing: GBS200H-1704
Kelvion Brazed PHE GmbH Remsaer Straße 2a D-04603 Nobitz-Wilchwitz Tel. 03447-5539-0 Fax. 03447-5539-30		All measurements without tolerances are subject to the specified tolerance values of the document "technical dimensions" from Kelvion Brazed PHE GmbH	
		scale 1:2	
		denomination: <b>Plate Heat Exchanger GBS200H</b>	
		drawing number: <b>GBS200H-1910_EN</b>	
		sheet2 2 sheet	
(b)	1,10+0,06->0,85+0,06	17.10.19	Regen.
(b)	Hinweis Anschlüsse	17.10.19	Regen.
(a)	Hinweis Toleranz	21.01.19	Sacher
stat	change	date	name

